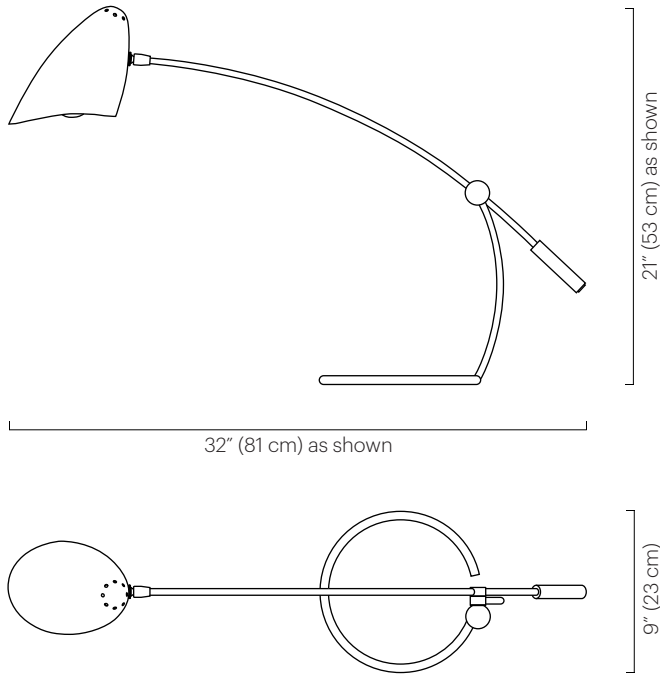




*Classic. Modern. The Adjustable Arc Lamp from David Weeks Studio.*

spencer  
interiors

No. 109



**Description**

The Adjustable Arc features a counterweighted arm that adjusts up and down to desired height. The handspun aluminum shade rotates 320 degrees to cast light directionally. May be ordered with Bullet or Bottle shades.

**Materials**

Shade: Powder coated aluminum  
 Frame: Plated steel  
 Counterweight: Power coated steel

**Shade Color Bullet**

- Black Satin (ivory satin interior)
- Ivory Satin (ivory satin interior)

**Shade Color Bottle**

- Black Satin (ivory satin interior)
- Grey Gloss (ivory satin interior)
- Ivory Satin (ivory satin interior)

Custom colors available.

**Finish**

- Polished Nickel
- Brushed Brass

**Lamping**

120V: A19 or A15 medium base 60W max  
 220-240V: E27 base 60W max  
 Note: Bulbs not included. Halogen bulbs not recommended.

**Wattage**

60 watts max

**Weight**

5 lbs (2.3 kg)

**Remarks**

Bullet shade: On/Off switch located on cord.  
 Bottle shade 120V: On/Off switch located on shade and cord.  
 220-240V: On/Off switch located on cord.

**Remarks Continued**

Available to be wired UL. Cord color is black; length approx. 7 feet. Counterweight and arm adjustment are always black. Indoor use and dry locations only.

**Dimensions**

Base: 9" Ø (23 cm)  
 Height variable.  
 Adjusts up to 36.5" H (93 cm)  
 Bullet Shade: 9" H x 6" W x 6.5" D (23 H x 15 W x 17 cm D)  
 Bottle Shade: 8.5" H x 5.5" W x 8.5" D (22 H x 14 W x 22 cm D)

