



Pablo®

LANA

spencer
interiors

spencer interiors
vancouver bc canada
telephone: 604.736.1378
www.spencerinteriors.ca

LANA

DESCRIPTION

Inspired by a fusion of craft and advanced manufacturing, the Lana series is designed to adapt to any space. Lana is comprised of a unique magnetic felt shade that provides limitless attachment possibilities. The new collection debuts with a magnetic LED module which guarantees maximum freedom allowing the light to be attached to any ferrous surface bringing three distinct personalities: wall, table, and floor (with adjustable pedestal).

DESIGNER

Pablo Studios 2015

MATERIALS

- Wool felt shade
- ABS light module
- Neodymium magnets
- Steel base (floor and table models)
- Steel mounting plate (wall models)

FEATURES

- 360° shade rotation
- unlimited height adjustability
- Magnetic attachment
- Full range dim control 100%-10%
- Optical switch

SPECIFICATIONS:

- Voltage: 120/220V 60Hz
- Power consumption: 5.5W
- Color temperature: 3000K
- Luminosity: 350 Lumens
- Luminaire efficacy: 64 Lumens/Watt
- Color Rendition Index: 90+ CRI
- 50K hour lifespan
- Cord length: 9' (274cm)
- Global multi-plug adapter available
- 1 year warranty
- Certifications: ETL, CE, PSE, RoHS



Pablo®

LANA TABLE

DESCRIPTION

Inspired by a fusion of craft and advanced manufacturing, the Lana series is designed to adapt to any space. Lana is comprised of a unique magnetic felt shade that provides limitless attachment possibilities. The new collection debuts with a magnetic LED module which guarantees maximum freedom allowing the light to be attached to any ferrous surface bringing three distinct personalities: wall, table, and floor (with adjustable pedestal).

FIXTURE TYPE

Floor

LIGHT SOURCE

LED High-Output chip on board

PRODUCT CODES

Table SM White Stone/Grey:	LANA SML TBL STN/GRY WHT
Table SM White Charcoal/Grey:	LANA SML TBL CHR/GRY WHT
Table SM White Arctic Blue/Grey:	LANA SML TBL ARCT/GRY WHT
Table SM White Moss/Grey:	LANA SML TBL MOSS/GRY WHT
Table SM White Plum/Grey:	LANA SML TBL PLUM/GRY WHT

Table SM Chrome Stone/Grey:	LANA SML TBL STN/GRY CRM
Table SM Chrome Charcoal/Grey:	LANA SML TBL CHR/GRY CRM
Table SM Chrome Arctic Blue/Grey:	LANA SML TBL ARCT/GRY CRM
Table SM Chrome Moss/Grey:	LANA SML TBL MOSS/GRY CRM
Table SM Chrome Plum/Grey:	LANA SML TBL PLUM/GRY CRM

Table LG White Stone/Grey:	LANA LRG TBL STN/GRY WHT
Table LG White Charcoal/Grey:	LANA LRG TBL CHR/GRY WHT
Table LG White Arctic Blue/Grey:	LANA LRG TBL ARCT/GRY WHT
Table LG White Moss/Grey:	LANA LRG TBL MOSS/GRY WHT
Table LG White Plum/Grey:	LANA LRG TBL PLUM/GRY WHT

Table LG Chrome Stone/Grey:	LANA LRG TBL STN/GRY CRM
Table LG Chrome Charcoal/Grey:	LANA LRG TBL CHR/GRY CRM
Table LG Chrome Arctic Blue/Grey:	LANA LRG TBL ARCT/GRY CRM
Table LG Chrome Moss/Grey:	LANA LRG TBL MOSS/GRY CRM
Table LG Chrome Plum/Grey:	LANA LRG TBL PLUM/GRY CRM

LIGHT CONTROL

Full range dim (optical switch)

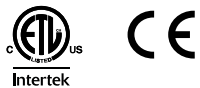
FEATURES

360° shade rotation
 Unlimited height adjustability
 Magnetic attachment

SPECIFICATIONS

Voltage: 120/220V 60Hz
 Power consumption: 5.5W
 Color temperature: 3000K
 Luminosity: 350 Lumens
 Luminaire efficacy: 64 Lumens/Watt
 Color Rendition Index: 90+ CRI
 50K Hour lifespan
 Cord length: 9' (274cm)
 1 year warranty

CERTIFICATIONS



PACKAGING WEIGHT AND DIMENSIONS

Lana Floor:	7.25LBS	14.5" X 14" X 20.5"
	3.3KGS	37cm X 36cm X 52cm



SHADE FINISHES



STONE/
GREY



CHARCOAL/
GREY



ARCTIC BLUE/
GREY



MOSS/
GREY



PLUM/
GREY

BASE FINISHES



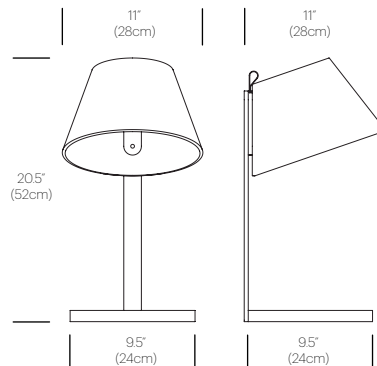
WHITE



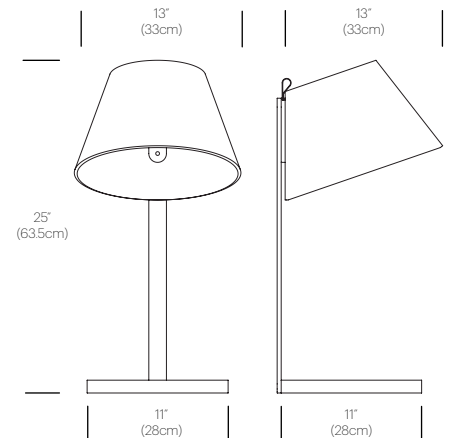
CHROME

DIMENSIONS

LANA TABLE SM



LANA TABLE LG



LANA FLOOR

DESCRIPTION

Inspired by a fusion of craft and advanced manufacturing, the Lana series is designed to adapt to any space. Lana is comprised of a unique magnetic felt shade that provides limitless attachment possibilities. The new collection debuts with a magnetic LED module which guarantees maximum freedom allowing the light to be attached to any ferrous surface bringing three distinct personalities: wall, table, and floor (with adjustable pedestal).

FIXTURE TYPE

Floor

LIGHT SOURCE

LED High-Output chip on board

PRODUCT CODES

Floor White Stone/Grey:	LANA FLR STN/GRY WHT
Floor White Charcoal/Grey:	LANA FLR CHR/GRY WHT
Floor White Arctic Blue/Grey:	LANA FLR ARCT/GRY WHT
Floor White Moss/Grey:	LANA FLR MOSS/GRY WHT
Floor White Plum/Grey:	LANA FLR PLUM/GRY WHT

Floor Chrome Stone/Grey:	LANA FLR STN/GRY CRM
Floor Chrome Charcoal/Grey:	LANA FLR CHR/GRY CRM
Floor Chrome Arctic Blue/Grey:	LANA FLR ARCT/GRY CRM
Floor Chrome Moss/Grey:	LANA FLR MOSS/GRY CRM
Floor Chrome Plum/Grey:	LANA FLR PLUM/GRY CRM

Floor White ped Stone/Grey:	LANA FLR STN/GRY WHT W/PED
Floor White ped Charcoal/Grey:	LANA FLR CHR/GRY WHT W/PED
Floor White ped Arctic Blue/Grey:	LANA FLR ARCT/GRY WHT W/PED
Floor White ped Moss/Grey:	LANA FLR MOSS/GRY WHT W/PED
Floor White ped Plum/Grey:	LANA FLR PLUM/GRY WHT W/PED

Floor Chrome ped Stone/Grey:	LANA FLR STN/GRY CRM W/PED
Floor Chrome ped Charcoal/Grey:	LANA FLR CHR/GRY CRM W/PED
Floor Chrome ped Arctic Blue/Grey:	LANA FLR ARCT/GRY CRM W/PED
Floor Chrome ped Moss/Grey:	LANA FLR MOSS/GRY CRM W/PED
Floor Chrome ped Plum/Grey:	LANA FLR PLUM/GRY CRM W/PED

LIGHT CONTROL

Full range dim (optical switch)

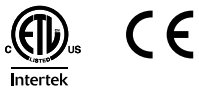
FEATURES

360° shade rotation
 Unlimited height adjustability
 Magnetic attachment

SPECIFICATIONS

Voltage: 120/220V 60Hz
 Power consumption: 5.5W
 Color temperature: 3000K
 Luminosity: 350 Lumens
 Luminaire efficacy: 64 Lumens/Watt
 Color Rendition Index: 90+ CRI
 50K Hour lifespan
 Cord length: 9' (274cm)
 1 year warranty

CERTIFICATIONS



PACKAGING WEIGHT AND DIMENSIONS

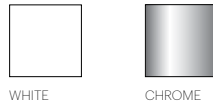
Lana Floor:	10.9LBS	14.5" X 14" X 20.5"
	4.94KGS	36.8cm X 35.5cm X 52cm



SHADE FINISHES

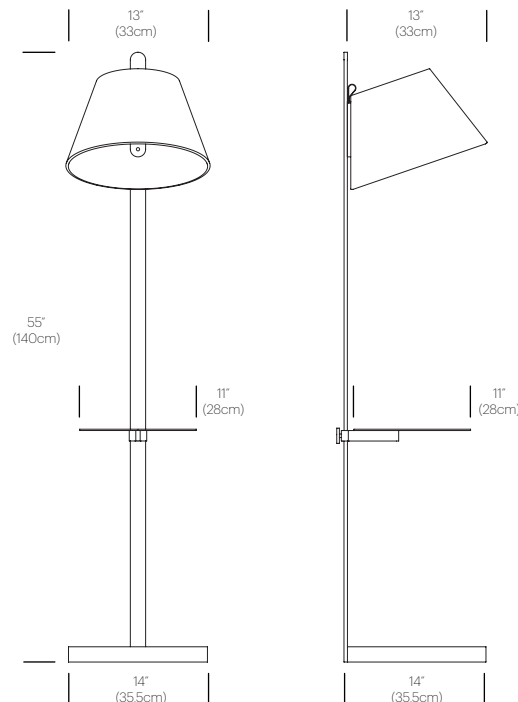


BASE FINISHES



DIMENSIONS

LANA FLOOR



LANA WALL

DESCRIPTION

Inspired by a fusion of craft and advanced manufacturing, the Lana series is designed to adapt to any space. Lana is comprised of a unique magnetic felt shade that provides limitless attachment possibilities. The new collection debuts with a magnetic LED module which guarantees maximum freedom allowing the light to be attached to any ferrous surface bringing three distinct personalities: wall, table, and floor (with adjustable pedestal).

FIXTURE TYPE

Wall

LIGHT SOURCE

LED High-Output chip on board

PRODUCT CODES

Wall SM Stone/Grey:	LANA WALL SML STN/GRY
Wall SM Charcoal/Grey:	LANA WALL SML CHR/GRY
Wall SM Arctic Blue/Grey:	LANA WALL SML ARCT/GRY
Wall SM Moss/Grey:	LANA WALL SML MOSS/GRY
Wall SM Plum/Grey:	LANA WALL SML PLUM/GRY

Wall LG Stone/Grey:	LANA WALL LRG STN/GRY
Wall LG Charcoal/Grey:	LANA WALL LRG CHR/GRY
Wall LG Arctic Blue/Grey:	LANA WALL LRG ARCT/GRY
Wall LG Moss/Grey:	LANA WALL LRG MOSS/GRY
Wall LG Plum/Grey:	LANA WLAL LRG PLUM/GRY

LIGHT CONTROL

Full range dim (optical switch)

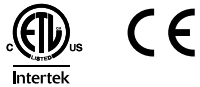
FEATURES

360° shade rotation
 Unlimited height adjustability
 Magnetic attachment

SPECIFICATIONS

Voltage: 120/220V 60Hz
 Power consumption: 5.5W
 Color temperature: 3000K
 Luminosity: 350 Lumens
 Luminaire efficacy: 64 Lumens/Watt
 Color Rendition Index: 90+ CRI
 50K Hour lifespan
 Cord length: 9' (274cm)
 1 year warranty

CERTIFICATIONS



PACKAGING WEIGHT AND DIMENSIONS

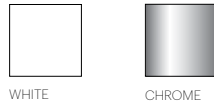
Lana Wall SM:	2.65LBS	11.5" X 11.5" X 7.5"
	3KGS	29cm X 29cm X 19cm
Lana Wall LG:	3.05LBS	13" X 13" X 8.5"
	3KGS	33cm X 33cm X 21.5cm



SHADE FINISHES

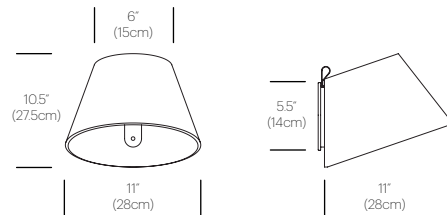


BASE FINISHES



DIMENSIONS

LANA WALL SM



LANA WALL LG

